

MODEL C 810

UNDERMOUNT TYPE

GENERAL

Fine quality sink bowl formed of 18 gauge BA 304 18/10 nickel bearing stainless steel.

DESIGN FEATURES

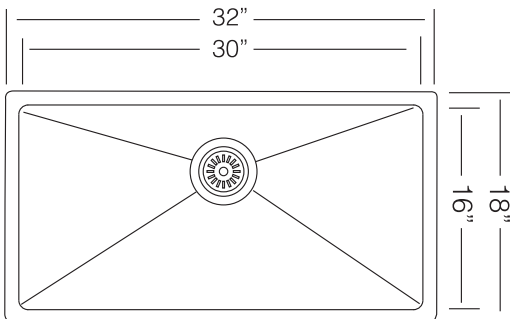
Bowl Depth : 10"
 Finish : Soft Satin Finish
 Underside : Sound absorbing pads and special paint applied to dampen sound
 Drain Opening : 3-1/2"



OPTIONAL ACCESSORIES

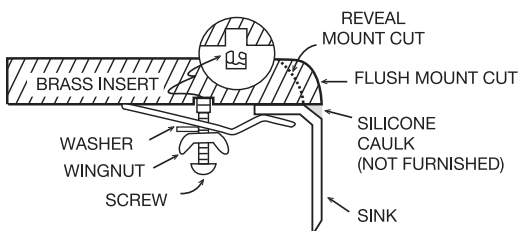
Stainless Steel Bottom Grid
 Wood Cutting Board
 Glass Cutting Board
 Stainless Steel Colander
 Drying Rack

SINK DIMENSIONS (INCHES)



Recommended Cabinet Size 27"

INSTALLATION PROFILE*



*Template and countertop mounting clips are packed with every sink

Ukinox reserves the right to change product specifications without notice.
 Printed in USA © 2019 Ukinox

